

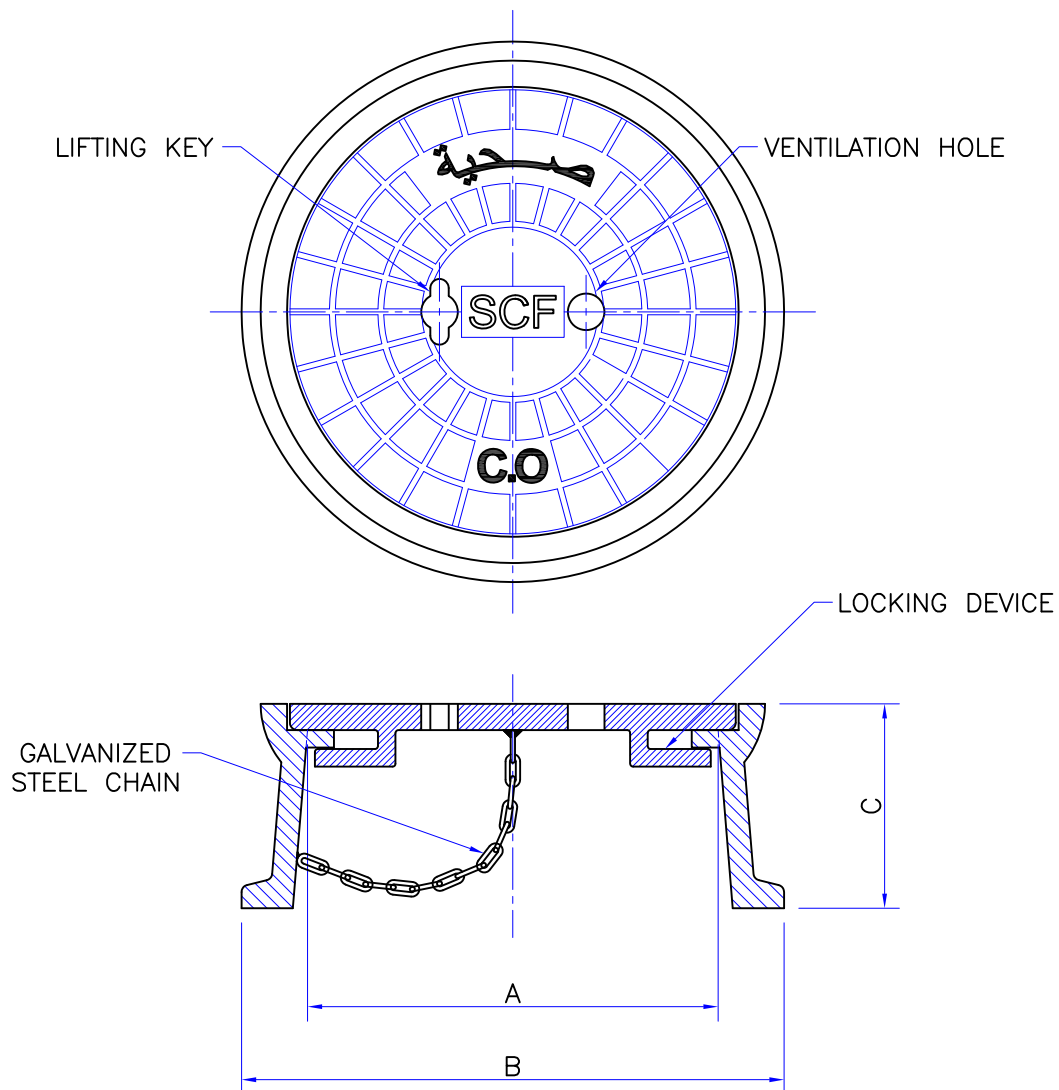
شركة المصنع السعودي القبرصي لسبك و تشكيل المعادن المحدودة
SAUDI CYPRUS FOUNDRIES LTD.

ITEM CATEGORY: SURFACE BOXES

ITEM DESCRIPTION: SURFACE BOX

Heavy duty cast iron surface box.

Features:
Lifting key.
Locking device.
Cover chained to frame.
Galvanized chain.
Ventilation hole.



Item code	Clear Opening A(mm)	Over Base B(mm)	Depth (mm)	Loading (Tons)	Standard
SB-505	ø280	ø370	140	40	EN124/D400

(IF IN DOUBT, PLEASE ASK)